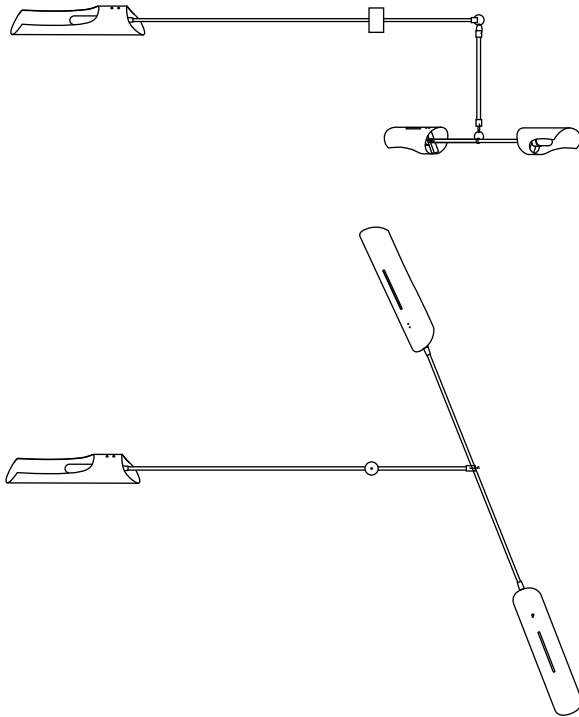




Classic. Modern. The Hanging Mobile from David Weeks Studio.

**spencer
interiors**

No. 429



Single tier shown above



Shown above with three tiers

Description

The Torroja Mobile is custom crafted to client specifications, built upon the frame of a Hanging Mobile. With a minimum of two tiers, the mobile can extend both horizontally and vertically. Shades swivel 320 degrees, and tiers balance on an asymmetrical axis to allow gentle movement.

Materials

Shades: Powder coated aluminum
 Ceiling mount: Powder coated steel
 Frame: Plated steel
 Cable box: Plated aluminum (for nickel finish) or brass (for brass finish)
 Drop: Stainless steel cable

Shade Color

- Black Satin (ivory satin interior)
- Ivory Satin (ivory satin interior)

Custom colors available.

Finish

- Polished Nickel
- Brushed Brass

Lamping (per tier)

US/Canada: (3)T10 tubular incandescent 60W max
 Europe: (3)E27 base (tubular 32mm suggested) 60W max
 Note: Bulbs not included. Halogen bulbs not recommended.

IMPORTANT: Identical bulbs must be used in each socket in order for fixture to properly balance.

Wattage

180 watts max per tier

Weight

Weight varies; depends on number of tiers and dimensions.
 3-tier fixture: approx. 24 lbs (11 kg)

Remarks

Specify drop length.
 Two tier minimum (6 shades).
 Specify number of tiers.
 Specify tier diameter.
 White electrical cord is standard.
 Approx. 6" of extra cable and cord included.
 Additional weight support recommended for junction box installation.
 Indoor use and dry locations only.

Dimensions

Fixture custom made based on client specifications.
 Minimum diameter: 60" (152 cm)
 Maximum diameter: 120" (3 m)
 Ceiling mount diameter: 5" (13 cm)
 Minimum overall height:
 Two tiers: 17" (43 cm)
 Three tiers: 24" (61 cm)

