



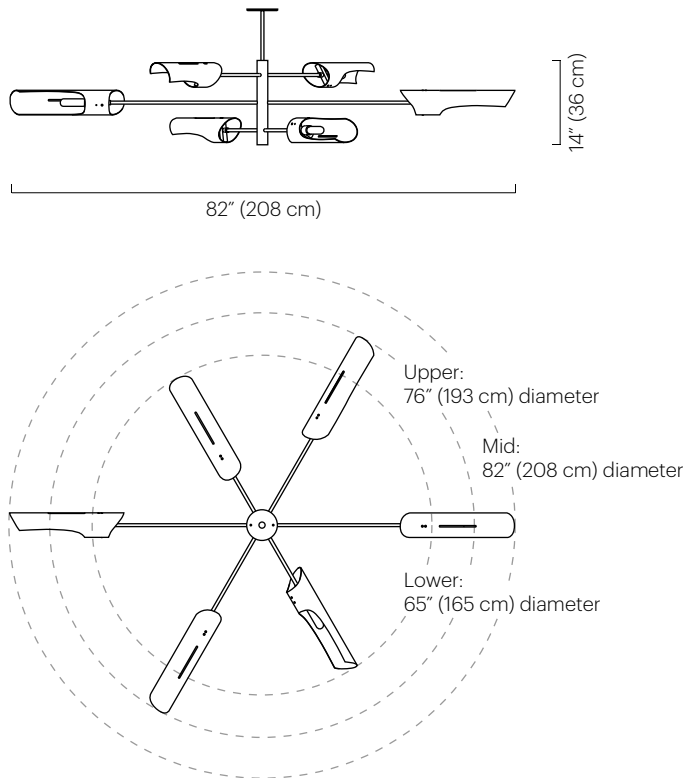
*Classic. Modern. The Torroja Cross Chandelier from David Weeks Studio.*

**spencer  
interiors**

# Torroja Cross

## TECHNICAL SPECIFICATIONS

No. 425



Shown above with three tiers

### Description

The Torroja Cross features a plated frame and tiers with rotating shades that cast light up or down. The number and length of tiers are fully customizable. Shades swivel 320 degrees and tiers scissor open when installed on site; arrangement is adjustable based on client specifications.

### Materials

Shades: Powder coated aluminum  
 Frame: Plated steel  
 Ceiling mount: Powder coated steel  
 Drop: Plated steel rod

### Shade Color

- Black Satin (ivory satin interior)
- Ivory Satin (ivory satin interior)

Custom colors available.

### Finish

- Polished Nickel
- Brushed Brass

### Lamping (per tier)

US/Canada: (2)T10 tubular incandescent 60W max  
 Europe: (2)E27 base (tubular 32mm suggested) 60W max  
 Note: Bulbs not included. Halogen bulbs not recommended.

### Wattage

120 watts max per tier

### Weight

Weight varies; depends on number of tiers and dimensions.  
 3-tier fixture: approx. 18 lbs (8 kg)

### Remarks

Specify drop length.  
 Fixed drop not adjustable on site.  
 Two tier minimum (4 shades).  
 Specify number of tiers.  
 Specify tier lengths.  
 Additional weight support recommended for junction box installation.

### Remarks (cont'd)

Drawings above illustrate suggested orientation.  
 Indoor use and dry locations only.

### Dimensions

Standard tier diameters (tier diameters can vary on one fixture):  
 52" / 65" / 76" / 82"  
 (132 cm / 165 cm / 193 cm / 208 cm)  
 or specify custom tier diameters.  
 Min. length of tier: 48" (122 cm)  
 Max. length of tier: 120" (3 m)  
 Ceiling mount diameter: 5" (13 cm)  
 Minimum overall height:  
 Two tiers: 11" (28 cm)  
 Three tiers: 15.5" (39 cm)



# David Weeks Studio