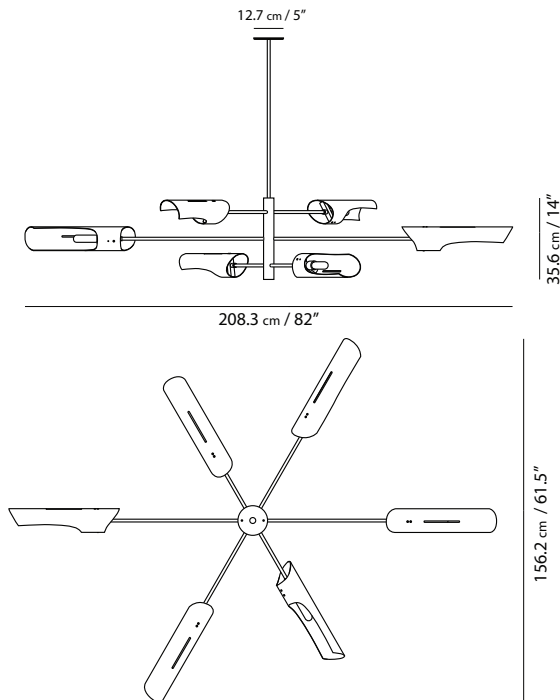




Classic. Modern. The Torroja Cross Chandelier from David Weeks Studio.

**spencer
interiors**

TORROJA CROSS CHANDELIER



Pictured: 425 Torroja Cross, Three Tier

Drawing: 425 Torroja Cross, Three Tier

DESCRIPTION

Inspired by the concrete forms of Eduardo Torroja's 1935 Zarzuela Hippodrome in Madrid, the Torroja Cross is a bold and sculptural piece. It features a chrome plated frame along with shades that rotate to cast light up or down. The Torroja Cross can be fully customized with the tier length of your choice, and with as many tiers as your space will allow.

MATERIALS

Shades: Powder coated aluminum
 Frame: Chrome plated steel
 Ceiling Mount: Powder coated steel

AVAILABLE FINISHES

Shades:
 ● Black
 ● Ivory
 ● Orange

Custom colors available at additional cost.

APPROX WEIGHT

25 - 50 lbs / 11.5 - 22.5 kg;
 (depends on number of tiers)

LAMP

US/Canada: T10 Tubular 60W
 Europe: E27 Tubular 32mm 60W,
 E27 Halolux Ceram 60W 230v

WATTAGE

120 watts per tier

DIMENSIONS

Standard tier sizes (can mix & match tiers sizes on one fixture).

52" / 132 cm
 65" / 165 cm
 76" / 193 cm
 82" / 208 cm

Custom sizes also available.

Min. length of tier: 52" / 132 cm
 Max. length of tier: 128" / 325 cm
 (length: tip to tip of shades)
 Ceiling Mount Diameter: 5" / 13 cm

REMARKS

- Two tier minimum.
- Specify 2, 3, 4, or more tiers.
- Specify tier length(s).
- Specify drop length.
- Before installation ensure power supply is disconnected at fuse box.
- Fixtures are designed for normal climate conditions.
- Indoor use only.



Revised February 2013