

“Kotai” rectangular dining table / *mesa rectangular*

T457

180 cm / 70.75”

IN

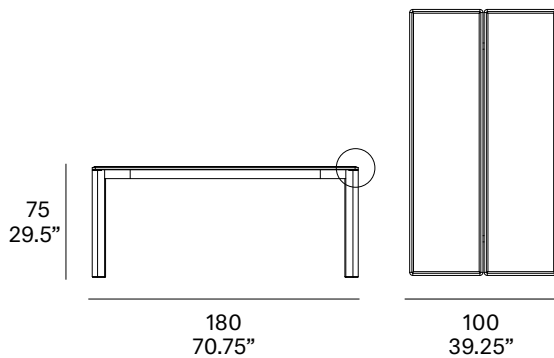


Structure made of solid wood profile from European oaks. Tabletop made of solid wood from European oaks with 22 mm/0.87” of section.

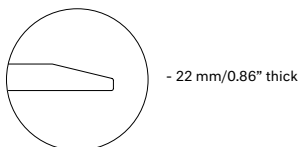
Estructura fabricada en perfilera maciza de roble europeo. Tapa fabricada en madera maciza de roble europeo de 22 mm de sección.

Shipment details

Qty	1 dining table (1 box)
Volume	0,27 m ³ / 9.6 ft ³
Gross weight	52 kg / 115 lb
Net weight	44 kg / 97 lb
Item dimensions (width x depth x height)	180 x 100 x 75 cm 70.75” x 39.25” x 29.5”



Tabletop:



“Kotai” rectangular dining table / *mesa rectangular*

T457

200 cm / 78.75”

IN

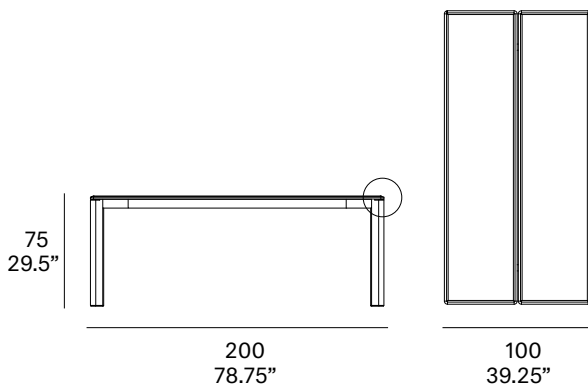


Structure made of solid wood profile from European oaks. Tabletop made of solid wood from European oaks with 22 mm/0.87” of section.

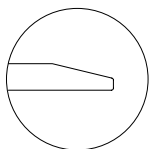
Estructura fabricada en perfilera maciza de roble europeo. Tapa fabricada en madera maciza de roble europeo de 22 mm de sección.

Shipment details

Qty	1 dining table (1 box)
Volume	0,30 m ³ / 10.6 ft ³
Gross weight	57 kg / 126 lb
Net weight	49 kg / 108 lb
Item dimensions (width x depth x height)	200 x 100 x 75 cm 78.75” x 39.25” x 29.5”



Tabletop:



- 22 mm/0.86” thick

“Kotai” rectangular dining table / *mesa rectangular*

T457

220 cm / 86.5”

IN

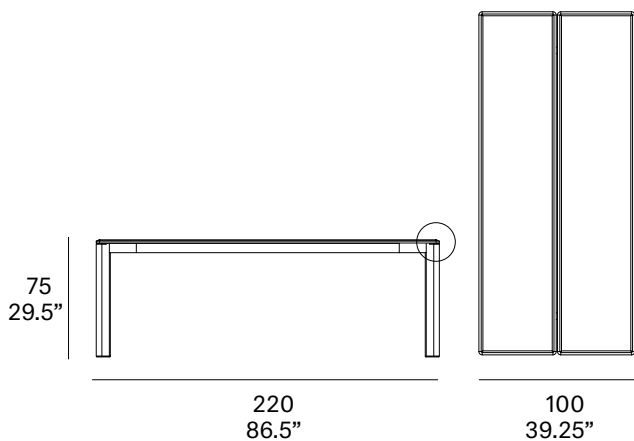


Structure made of solid wood profile from European oaks. Tabletop made of solid wood from European oaks with 22 mm/0.87” of section.

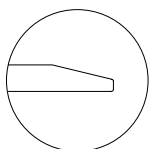
Estructura fabricada en perfilera maciza de roble europeo. Tapa fabricada en madera maciza de roble europeo de 22 mm de sección.

Shipment details

Qty	1 dining table (1 box)
Volume	0,33 m ³ / 11.7 ft ³
Gross weight	62 kg / 137 lb
Net weight	54 kg / 119 lb
Item dimensions (width x depth x height)	220 x 100 x 75 cm 86.5” x 39.25” x 29.5”



Tabletop:



- 22 mm/0.86” thick

“Kotai” rectangular dining table / *mesa rectangular*

T457

240 cm / 94.5”

IN

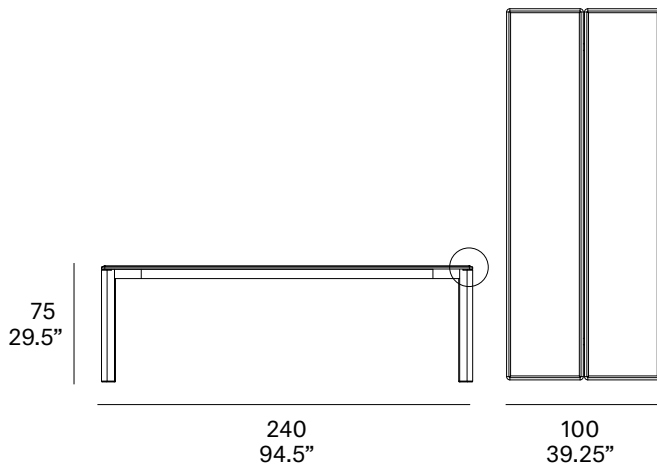


Structure made of solid wood profile from European oaks. Tabletop made of solid wood from European oaks with 22 mm/0.87” of section

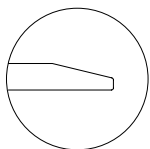
Estructura fabricada en perfilera maciza de roble europeo. Tapa fabricada en madera maciza de roble europeo de 22 mm de sección.

Shipment details

Qty	1 dining table (1 box)
Volume	0,36 m ³ / 12.7 ft ³
Gross weight	67 kg / 148 lb
Net weight	59 kg / 130 lb
Item dimensions (width x depth x height)	240 x 100 x 75 cm 94.5” x 39.25” x 29.5”



Tabletop:



- 22 mm/0.86” thick

“Kotai” rectangular dining table / *mesa rectangular*

T457

260 cm / 102.25"

IN

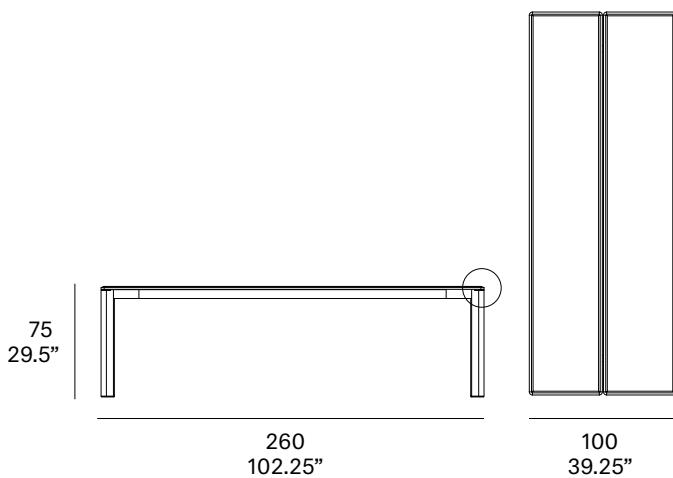


Structure made of solid wood profile from European oaks. Tabletop made of solid wood from European oaks with 22 mm/0.87" of section.

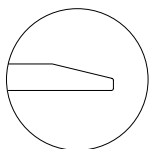
Estructura fabricada en perfilera maciza de roble europeo. Tapa fabricada en madera maciza de roble europeo de 22 mm de sección.

Shipment details

Qty	1 dining table (1 box)
Volume	0,38 m ³ / 13.4 ft ³
Gross weight	72 kg / 159 lb
Net weight	64 kg / 141 lb
Item dimensions (width x depth x height)	260 x 100 x 75 cm 102.25" x 39.25" x 29.5"



Tabletop:



- 22 mm/0.86" thick



water varnished



white stained



grey stained



black stained

spencer
interiors

spencer interiors
vancouver bc canada
www.spencerinteriors.ca