

Pablo®

CIRCA PENDANT

120V / 220V ASSEMBLY & INSTALLATION INSTRUCTIONS

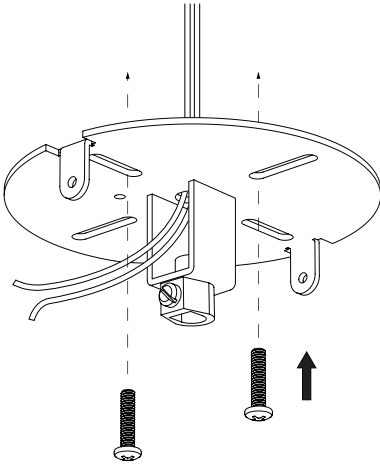
PABLODESIGNS.COM



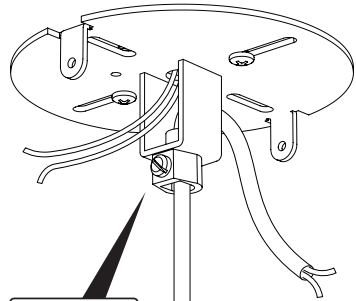
CIRCA PENDANT

IMPORTANT: WE RECOMMEND FIXTURE BE INSTALLED BY AN ELECTRICIAN

- 1** ROUTE BUILDING WIRING THROUGH MOUNTING PLATE, THEN ATTACH PLATE TO JUNCTION BOX

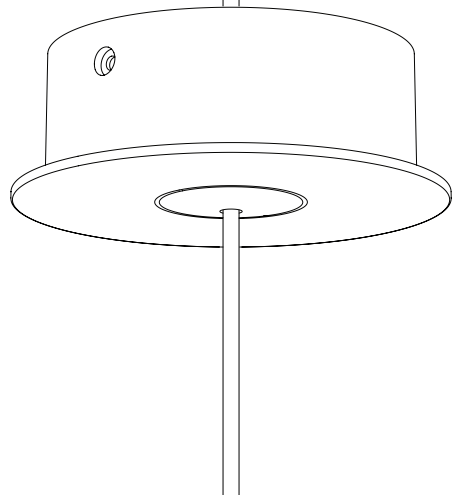
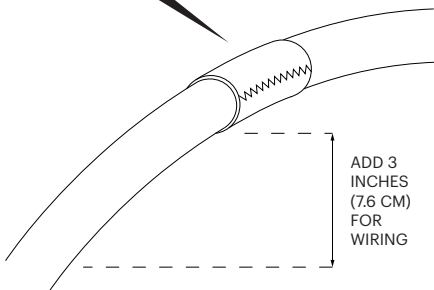


- 3** ROUTE FIXTURE AND BUILDING CORDS AS SHOWN, THEN PULL CIRCA PENDANT TO DESIRED HEIGHT AND SET STRAIN RELIEF



- 2** CUT FIXTURE CORD TO DESIRED LENGTH, ADDING AN ADDITIONAL 3 INCHES (7.6 CM) FOR WIRING

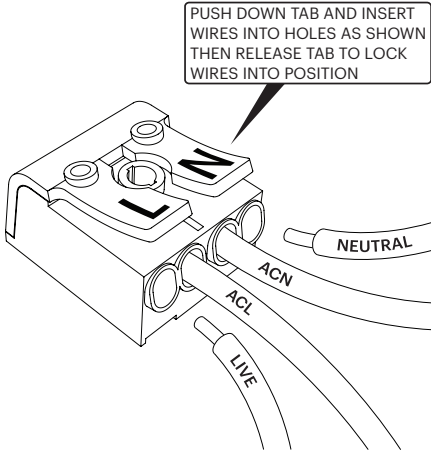
BEFORE CUTTING, WRAP CORD WITH ELECTRICAL TAPE TO PREVENT THE FABRIC SLEEVE FROM FRAYING



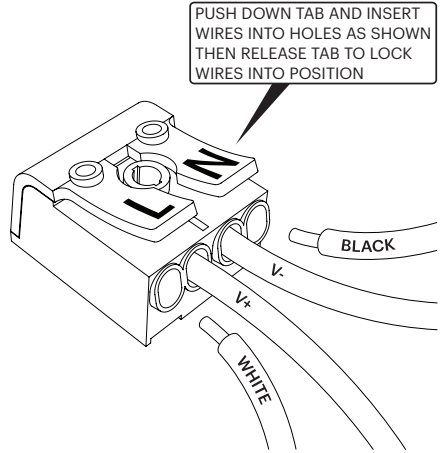
NOTE: IF JUNCTION BOX IS NOT LOCATED IN THE DESIRED POSITION FOR CIRCA PENDANT, SEE BACK PAGE FOR SWAG MOUNT INSTALLATION

CIRCA PENDANT

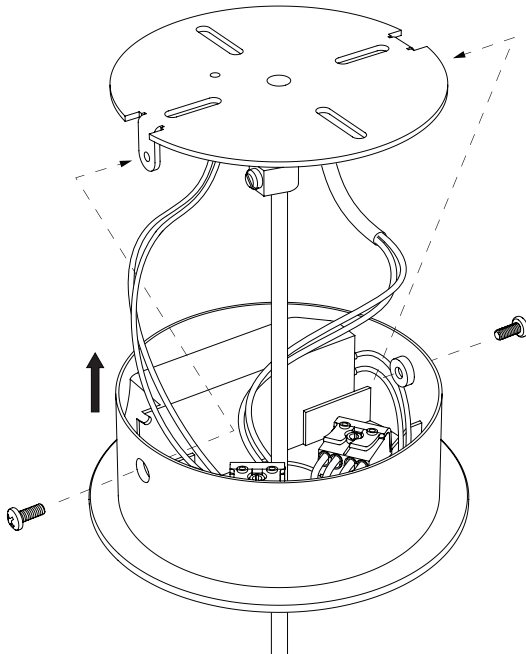
- 4** CONNECT BUILDING WIRING INTO 2 POLE CONNECTOR AS SHOWN. REFER TO SPECIFICATION LABEL ON TRANSFORMER



- 5** CONNECT FIXTURE WIRING INTO OTHER 2 POLE CONNECTOR AS SHOWN. REFER TO SPECIFICATION LABEL ON TRANSFORMER



- 6** TUCK WIRES AND POLE CONNECTIONS INTO CANOPY COVER, THEN SLIDE COVER PLATE UP TO CEILING AND SECURE WITH SUPPLIED SCREWS

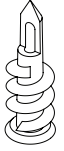


Pablo®

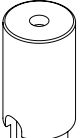
CIRCA PENDANT

SWAG MOUNT INSTALLATION

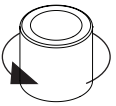
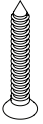
IF JUNCTION BOX IS NOT LOCATED IN DESIRED POSITION OF LIGHT, FOLLOW THESE ADDITIONAL STEPS:



- 1 POSITION ANCHOR OVER DESIRED PENDANT LOCATION ON CEILING. TAP ANCHOR INTO THE CEILING, THEN USE A PHILLIPS SCREWDRIVER TO COMPLETE INSTALLATION

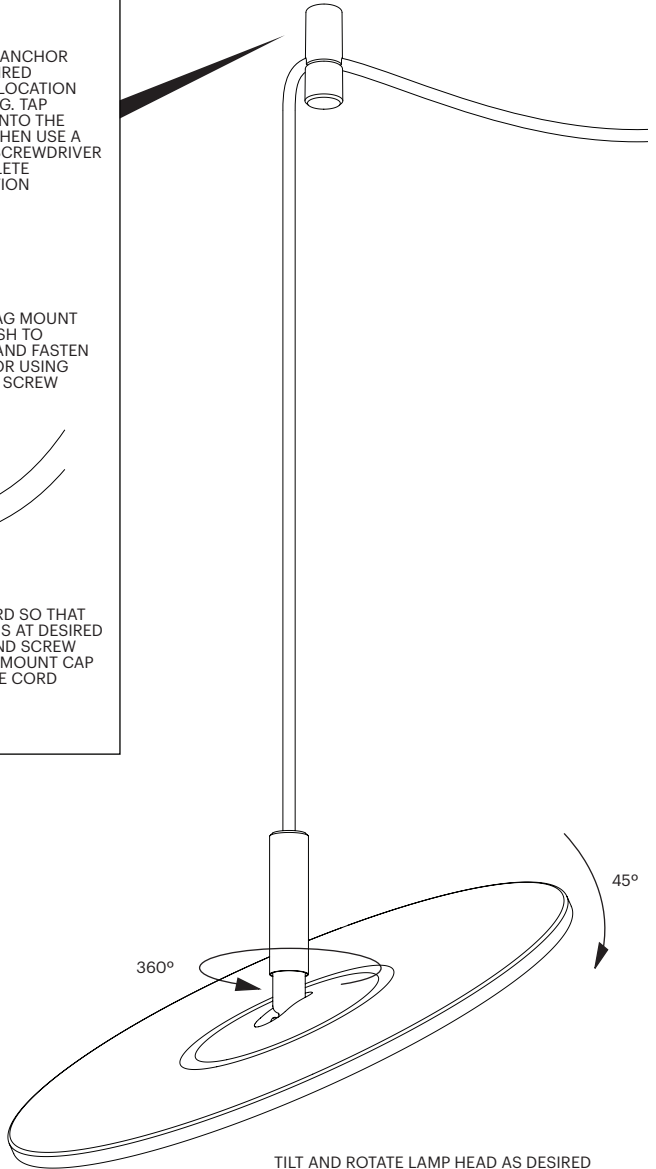


- 2 HOLD SWAG MOUNT BODY FLUSH TO ANCHOR AND FASTEN TO ANCHOR USING PROVIDED SCREW



- 3 HOLD CORD SO THAT PENDANT IS AT DESIRED HEIGHT AND SCREW ON SWAG MOUNT CAP TO SECURE CORD

ADJUSTMENT



BULB TYPE
LED FLAT PANEL

BULB REPLACEMENT
CONTACT MANUFACTURER
FOR BULB REPLACEMENT

CORD LENGTH
10FT (305CM)

ELECTRONIC
LOW VOLTAGE DIMMER
RECOMMENDED

CARE INSTRUCTIONS
WIPE CLEAN WITH A SOFT
DAMP CLOTH. AVOID
AMMONIA-BASED
CLEANERS.

TILT AND ROTATE LAMP HEAD AS DESIRED