



Pablo®
UMA

UMA

DESCRIPTION

The revolutionary UMA Sound Lantern redefines the portable lantern for the modern age. Fusing state-of-the-art Warm Dim LED technology with 360° high fidelity surround sound, UMA provides a one of a kind portable light + sound experience, integrated seamlessly into a strikingly elegant design. Uma pairs touch sensitive volume control with an intuitive full-range light control dial and features Bluetooth connectivity to stream the highest quality audio wirelessly from any mobile device. Invoking the primal symbol of the lantern and the warmth of a campfire, UMA is the perfect centerpiece for social gatherings and intimate moments indoor and out.

DESIGNER

Carmine Deganello
Pablo Pardo + Pablo Studio 2015

MATERIALS

- Diffused Polycarbonate lens
- Leather strap
- Steel grille
- Silicone feet
- Protective cotton bag w/ leather cord

FEATURES

- Portable and rechargeable
- Full range dim control
- Rich 360 degree sound
- Bluetooth connectivity
- Warm dimming technology
- Optional surface mount available

SPECIFICATIONS

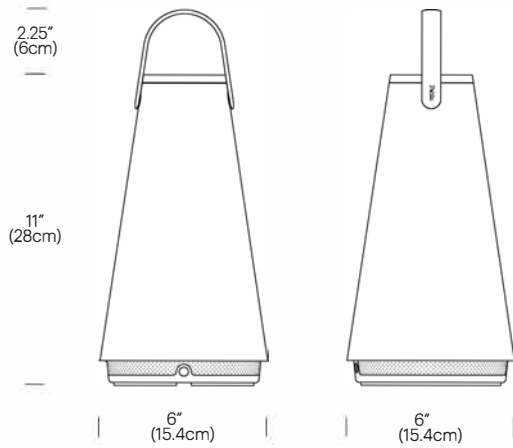
- Voltage: 100/240V 50/60Hz
- Power consumption: 4.5W (light)
12W MAX (speakers)
- Color temperature: 2000-2700K
- Luminosity: 190 Lumens MAX
- Luminaire efficacy: 42 Lumens/Watt
- Charging time: Up to 3.5 hours
- Battery life: Up to 8 hours
- Weight: 2.85 lbs. (1.30 kg)
- Power cord length: 6' (183cm)
- Global multi-plug adapter available
- Certifications: TUV, CE, FCC, RoHS
- Patent pending

Pablo®



DIMENSIONS

UMA



FINISH OPTIONS

LEATHER STRAP COLORS

NOTE: UMA SHIPS WITH BOTH A TAN AND A GREY LEATHER STRAP



TAN

GREY

BASE AND TOP RING FINISH



SILVER

**spencer
interiors**

spencer interiors
vancouver bc canada
telephone: 604.736.1378
www.spencerinteriors.ca

Pablo®

888 MARIN STREET SAN FRANCISCO CA 94124
PABLODESIGNS.COM

